

POLARIS Floodlighting Range

- ☺ **Toughened 5mm thick glass front**
- ☺ **Die cast Aluminium body**
- ☺ **Stainless Steel bolts**
- ☺ **Integral Stirrup Mounting bracket**
- ☺ **Excellent Photometric Performance**

Description

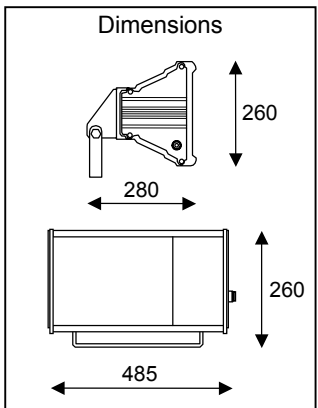
The POLARIS range of exterior IP65 floodlight luminaires is suitable for many external floodlighting applications. The die-cast aluminium body is available in black textured finish as standard. The fitting comes with a framed 5mm toughened glass front.

The die-cast aluminium endcaps are held in place by four stainless steel bolts and the fitting is very resilient to attack. An allen key is provided with every fitting to aid installation. The glass is sealed to the body with a rubber gasket to provide IP65 protection. The geartray is manufactured from galvanised steel and is removable for ease of maintenance. The reflector is manufactured from high quality stippled aluminium to give excellent photometric performance. Versions are available using high efficacy discharge lamps. The advantage of these is that they produce high light output and have a long life. Each fitting comes complete with an integral stirrup mounting bracket for numerous applications.

All luminaires in this range are designed to comply with BS EN 60598 and are suitable for operating in exterior applications. Each luminaire also complies with European Directive 89/336/EEC and carries the CE mark.

P
O
L
A
R
I
S

PRODUCTS AVAILABLE		
Catalogue No.	Description	
PLS 150S	150W high pressure sodium	
PLS 250S	250W high pressure sodium	
PLS 400S	400W high pressure sodium	
PLS 150MH	150W metal halide	
PLS 250MH	250W metal halide	
PLS 400MH	400W metal halide	
/PCKIT	remote photocell kit for multi-lamp use	
/PC	integral dusk to dawn cell	
Various surface and pole mounting options are available to complement the Polaris range.		



Applications

The POLARIS range of luminaires is suitable for use in many outdoor floodlighting applications. The unique design ensures that all types are extremely resilient and are therefore suited to use in those areas where vandalism is frequent. Such areas could be:

- Public parking areas
- Circulation areas
- Amenity lighting in Public parks
- Pedestrian precincts
- Storage areas
- Perimeters of Public buildings
- Exteriors of Football grounds
- Sports area floodlighting

Maintenance

For best results do not use abrasives or highly alkaline cleaners on the fittings. Do not use squeegees, razor blades or other sharp instruments. Do not clean the diffuser in hot sun or elevated temperatures.

- For removal of paints, marker pens, inks, lipstick etc., use Butyl Cellusolve on diffuser only.
- To remove labels, stickers etc., from the diffuser the use of kerosene, naphtha or white spirit is generally effective.
- After cleaning a final warm wash should be made using a mild soap solution and ending with a thorough rinse with cold water. Wipe off surface moisture from metalwork.

Generally speaking, if the luminaires operate only in the hours of darkness, a re-lamping and cleaning programme every 12 to 36 months is advisable depending on which type of lamp is used.

Standards

All luminaires in the POLARIS range are designed and manufactured in accordance with the relevant sections of BS EN 60598. In addition, they comply with the requirements of European Directive 89/336/EEC and carry the CE mark. Each and every fitting undergoes stringent testing in excess of that required under the standard, to ensure that any possibility of luminaires arriving on site in anything other than full working order is kept to an absolute minimum.

Technical Advice

Our Technical Department would be pleased to advise customers with regard to any technical aspect of Vandalite luminaires. This includes a design service using state-of-the-art computer software, or manual calculations to ensure that each project receives the correct attention for the job.

Vandalite Lighting Ltd.

Haley Hill Works

Haley Hill

Halifax

West Yorkshire

HX3 6ED

Tel: 01422 354254

Fax: 01422 356066

e-mail: enquiries@vandalite.com

web site: www.vandalite.com

All information, recommendation, or advice contained in this document or given by Vandalite Lighting Ltd., or any of its subsidiaries, affiliates, or authorised representatives, whether written or oral, is given in good faith, to the best of its knowledge, and based on current procedures in effect. The products of Vandalite Lighting Ltd. or if applicable, of its subsidiaries or affiliates are sold subject to General Conditions of Sale printed at the rear of the current catalogue or available upon request. Nothing in this or any other document shall alter, vary or supersede, or operate to waive any of the General Conditions of Sale. Each user of the products shall convince themselves, through all available sources (including finished product testing in its appropriate environment) of the suitability of the products supplied for its own particular purpose. Because actual use of the products by the user is beyond the control of Vandalite Lighting Ltd., its subsidiaries and affiliates, such use is within the exclusive responsibility of the user. Vandalite Lighting Ltd., its subsidiaries and affiliates cannot be held responsible for any loss incurred through incorrect or faulty use of the products. Information, recommendation and / or advice are neither made to infringe on any patents, nor to grant a license under any patent or intellectual property right of Vandalite Lighting Ltd. Or any of its subsidiaries or affiliated companies, nor to grant the right to file for any patent protection. We have a policy of continuous technical development and products and / or descriptions, and / or materials may be changed without prior public announcement or warning.