



MAYFAIR – Round Vandal Resistant 2D Range



M
a
y
f
a
i
r

- ☺ **Polycarbonate body and diffuser**
- ☺ **Wall or ceiling mounting options**
- ☺ **Removable geartray**
- ☺ **Excellent Photometric Performance**

Description

The MAYFAIR range of vandal resistant exterior luminaires utilises 2D compact fluorescent lamps and is suitable for wall or ceiling mounting.

The body is made from Polycarbonate and is available in white or black. The prismatic controller is also made from Polycarbonate. The luminaire has a removable geartray which also acts as a reflector. The geartray is made from mild steel which has been painted with an epoxy powder coat.

All luminaires are supplied with a power factor correction capacitor as standard. The method of entry to the luminaire is by unscrewing the screws and taking the diffuser from the body. Cable entry is through a single 20mm central hole and there is the facility for BESA fixing. An integral photocell can be supplied at additional cost.

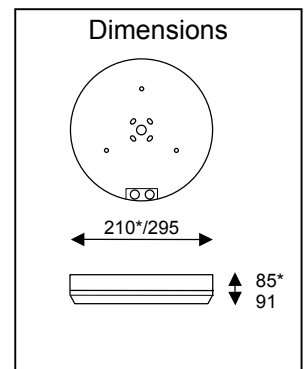
All luminaires in this range are designed to comply with BS EN 60598 and are suitable for operating in exterior applications. Each luminaire also complies with European Directive 89/336/EEC and carries the CE mark.

PRODUCTS AVAILABLE

| Catalogue No. | Description |
|--------------------|-------------------------------|
| MAYR 162D | 16W 2D round IP65 luminaire |
| MAYR 282D | 28W 2D round IP65 luminaire |
| MAYR 382D * | 38W 2D round IP65 luminaire |
| /W | white body |
| /B | black body |
| /P | prismatic controller |
| /O | opal diffuser |
| /PC | integral photocell |
| /SS | fitted with security screws |
| /MFSD | security screwdriver |
| /EM | 3 hour integral emergency box |



* 38W version is with remote emergency box only.



Applications

The MAYFAIR range of luminaires is suitable for both wall and ceiling mounting in most external or internal amenity applications. Such areas could be:

- Public building corridors and entrances
- Circulation areas in high rise council housing
- Public areas of Local Authority buildings
- Bus station public areas
- Public conveniences
- Public areas in parks
- Sports centre showers and changing rooms
- Building exteriors

Maintenance

For best results do not use abrasives or highly alkaline cleaners on the fittings. Do not use squeegees, razor blades or other sharp instruments. Do not clean the diffuser in hot sun or elevated temperatures.

- For removal of paints, marker pens, inks, lipstick etc., use Butyl Cellusolve on diffuser only.
- To remove labels, stickers etc., from the diffuser the use of kerosene, naphtha or white spirit is generally effective.
- After cleaning a final warm wash should be made using a mild soap solution and ending with a thorough rinse with cold water. Wipe off surface moisture from metalwork.

Generally speaking, if the luminaires operate only in the hours of darkness, a re-lamping and cleaning programme every 12 to 18 months is advisable when using 2D lamps. If integral maintained emergency gear is used, it is advisable to follow the guidelines in the installation leaflet with regard to monthly testing procedures. This will ensure that optimum battery life is achieved.

Standards

All luminaires in the MAYFAIR range are designed and manufactured in accordance with the relevant sections of BS EN 60598. In addition, they comply with the requirements of European Directive 89/336/EEC and carry the CE mark. Each and every fitting undergoes stringent testing in excess of that required under the standard, to ensure that any possibility of luminaires arriving on site in anything other than full working order is kept to an absolute minimum.

Technical Advice

Our Technical Department would be pleased to advise customers with regard to any technical aspect of Vandalite luminaires. This includes a design service using state-of-the-art computer software, or manual calculations to ensure that each project receives the correct attention for the job.

Vandalite Lighting Ltd.

Haley Hill Works

Haley Hill

Halifax

West Yorkshire

HX3 6ED

Tel: 01422 354254

Fax: 01422 356066

e-mail: enquiries@vandalite.com

web site: www.vandalite.com

All information, recommendation, or advice contained in this document or given by Vandalite Lighting Ltd., or any of its subsidiaries, affiliates, or authorised representatives, whether written or oral, is given in good faith, to the best of its knowledge, and based on current procedures in effect. The products of Vandalite Lighting Ltd. or if applicable, of its subsidiaries or affiliates are sold subject to General Conditions of Sale printed at the rear of the current catalogue or available upon request. Nothing in this or any other document shall alter, vary or supersede, or operate to waive any of the General Conditions of Sale. Each user of the products shall convince themselves, through all available sources (including finished product testing in its appropriate environment) of the suitability of the products supplied for its own particular purpose. Because actual use of the products by the user is beyond the control of Vandalite Lighting Ltd., its subsidiaries and affiliates, such use is within the exclusive responsibility of the user. Vandalite Lighting Ltd., its subsidiaries and affiliates cannot be held responsible for any loss incurred through incorrect or faulty use of the products. Information, recommendation and / or advice are neither made to infringe on any patents, nor to grant a license under any patent or intellectual property right of Vandalite Lighting Ltd. Or any of its subsidiaries or affiliated companies, nor to grant the right to file for any patent protection. We have a policy of continuous technical development and products and / or descriptions, and / or materials may be changed without prior public announcement or warning.