

Atlantic – post top columns Exterior Lighting Range

- ☺ **Galvanised steel columns**
- ☺ **Vandal resistant lockable door**
- ☺ **Flange or root mounting options**
- ☺ **Various bracket options**

Atlantic

Description

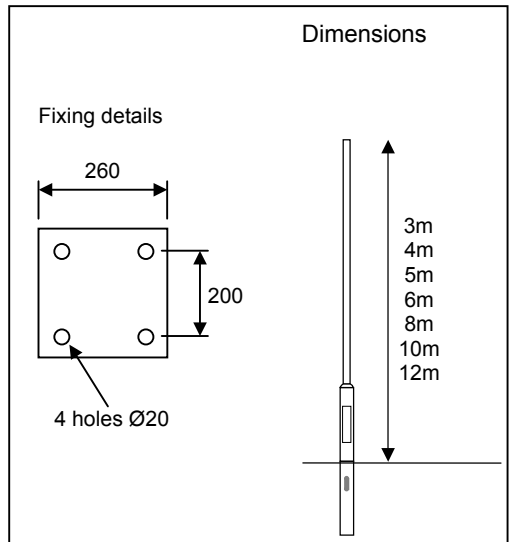
The ATLANTIC range of exterior galvanised steel post-top columns is suitable for a variety of applications where a single decorative sphere or street lantern is required. One or two floodlights can be used up to 6m high when used with a spigot top cap (for a single light) or a crossarm bracket (for two lights).

The column is made from steel to BS 4360 Grade 50C and is hot-dip galvanised to BS 729. The range is manufactured in accordance with BS 5649 and is supplied with a single lockable door and wooden backplate, which are secure and vandal resistant. The gear compartment is suitable for including circuit cut-outs which can be supplied at additional cost. All columns are supplied with root planting as standard, but are available with fully welded surface flange plate at additional cost if required. The maximum 'K' Factor for all column types is 2.5. Cable entry is through a 150mm x 75mm slot in the column side below ground.

PRODUCTS AVAILABLE

Catalogue No.	Description
ATL 3	3m steel post-top lighting column
ATL 4	4m steel post-top lighting column
ATL 5	5m steel post-top lighting column
ATL 6	6m steel post-top lighting column
ATL 8	8m steel post-top lighting column
ATL 10	10m steel post-top lighting column
ATL 12	12m steel post-top lighting column
ATL FX	floodlight crossarm for up to 4 fittings
ATL STC	Spigot top cap for 1 floodlight
ATL 7660	reducer – 60mm male to 76mm female
/RM	root mounting
/FM	flange mounting

ATL FX is recommended only for columns up to 8m for 2 floodlights and 6m for 4 floodlights.
For other combinations use the PACIFIC range of columns.



Applications

The ATLANTIC range of columns is suitable for use in most decorative, amenity and street lighting applications where mounting height is not greater than 12 metres. Such areas could be:

- Shopping precincts
- Building entrances
- Car parks
- Access and main roads
- Building grounds
- Driveways

Maintenance

For best results do not use abrasives or highly alkaline cleaners on the columns.

- If a paint finish is applied over the galvanised surface, regular inspection and maintenance is necessary to prevent the paint peeling off.

Standards

All luminaires in the ATLANTIC range are designed and manufactured in accordance with the relevant sections of BS 5649. Each and every column undergoes stringent testing in excess of that required under the standard, to ensure that any possibility of columns arriving on site in anything other than full working order is kept to an absolute minimum.

Technical Advice

Our Technical Department would be pleased to advise customers with regard to any technical aspect of Vandalite luminaires. This includes a design service using state-of-the-art computer software, or manual calculations to ensure that each project receives the correct attention for the job.

A
t
l
a
n
t
i
c

Vandalite Lighting Ltd.

Haley Hill Works

Haley Hill

Halifax

West Yorkshire

HX3 6ED

Tel: 01422 354254

Fax: 01422 356066

e-mail: enquiries@vandalite.com

web site: www.vandalite.com

All information, recommendation, or advice contained in this document or given by Vandalite Lighting Ltd., or any of its subsidiaries, affiliates, or authorised representatives, whether written or oral, is given in good faith, to the best of its knowledge, and based on current procedures in effect.

The products of Vandalite Lighting Ltd. or if applicable, of its subsidiaries or affiliates are sold subject to General Conditions of Sale, printed at the rear of the current catalogue or available upon request. Nothing in this or any other document shall alter, vary or supersede, or operate to waive any of the General Conditions of Sale. Each user of the products shall convince themselves, through all available sources (including finished product testing in its appropriate environment) of the suitability of the products supplied for its own particular purpose. Because actual use of the products by the user is beyond the control of Vandalite Lighting Ltd., its subsidiaries and affiliates, such use is within the exclusive responsibility of the user. Vandalite Lighting Ltd., its subsidiaries and affiliates cannot be held responsible for any loss incurred through incorrect or faulty use of the products. Information, recommendation and / or advice are neither made to infringe on any patents, nor to grant a license under any patent or intellectual property right of Vandalite Lighting Ltd. Or any of its subsidiaries or affiliated companies, nor to grant the right to file for any patent protection. We have a policy of continuous technical development and products and / or descriptions, and / or materials may be changed without prior public announcement or warning.