

EXCALIBER FLOODLIGHT



ZONE 1 FLAMEPROOF



- IP66
- ATEX & IEC Ex Certified by SIRI
- Rugged Marine Grade Die Cast Construction
- Stirrup Mounting Bracket
- Various Voltage Ranges
- 150w / 250w / 400w options
- LED option available on request



DESCRIPTION

Zone 1 flameproof luminaire. For use in hazardous areas where explosive environment present.

APPLICATION

Zone 1 Areas – Oil Refineries, Chemical Plants, Mines etc

RANGE AVAILABLE

Catalogue No.

EXCF150S
EXCF250S
EXCF400S

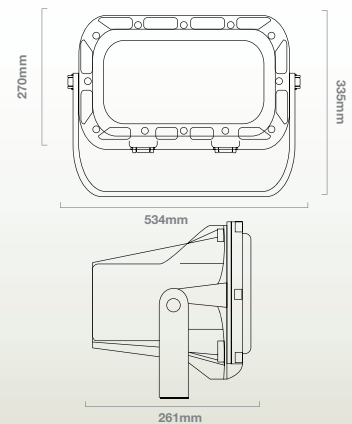
Description

1x150w SON-T Flameproof
1x250w SON-T Flameproof
1x400w SON-T Flameproof

Weight (Kg)

19.0kg
19.5kg
20.0kg

Dimensions



EXCF150MH
EXCF250MH
EXCF400MH

1x150w HIT Flameproof
1x250w HIT Flameproof
1x400w HIT Flameproof

19.0kg
19.5kg
20.0kg

Suffix

/WG

Wire Guard

*Comprehensive data sheets available on request

* LED option available on request.